

Platinum Resistance Temperature Detector

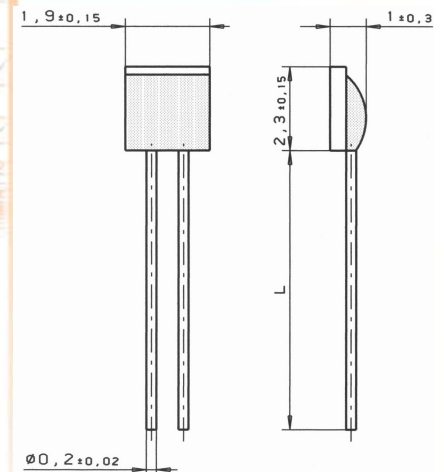
HM 220

HM 220 type platinum sensors are characterised by long-term stability, precision over a broad temperature range and compatibility. The main feature is the small design. They are used in particular for applications with high consumption volumes, e.g. white goods and heating power.

Nominal Resistance R ₀	Tolerance DIN EN 60751 1996-07	Tolerance DIN EN 60751 2009-05	Order Number Plasticbag
100 Ohm at 0°C	Class B	F 0.3	32 208 787
	Class A	F 0.15	32 208 788

The measuring point for the nominal resistance is defined at 6mm from the end of the sensor body.

Specification	DIN EN 60751	
Temperature range	-70°C up to +600°C Tolerance Class B: -70°C up to 600°C Tolerance Class A: -50°C up to 300°C	
Temperature coefficient	TCR = 3850 ppm/K	
Leads	Pd alloy with Pt coating wire	
Lead lengths (L)	8mm ±1mm	
Long-term tests	R ₀ - Drift after 1000h at 600°C (energized) < 0,24% (Unhoused chip in standard atmosphere.)	
Environmental conditions	Unhoused for dry environmental only	
Vibration resistance	at least 40g acceleration at 10 to 2000 Hz, depends on installation	
Shock resistance	at least 100g acceleration with 8ms half sine wave, depends on installation	
Insulation resistance	> 100 MΩ at 20°C; > 1 MΩ at 600°C	
Self heating	0.2 K/mW	
Response time	Water current (v= 0.4m/s):	t _{0,5} = 0.05s t _{0,9} = 0.14s
	Air stream (v=2 m/s):	t _{0,5} = 3.0s t _{0,9} = 10s
Measuring current	0.1 to 1mA (self heating has to be considered)	
Note	Other tolerances, values of resistance and wire lengths are available on request.	



We reserve the right to make alterations and technical data printed. All technical data serves as a guideline and does not guarantee particular properties to any products.

Heraeus Sensor Technology GmbH, Reinhard- Heraeus- Ring 23, 63801 Kleinostheim, Germany
Phone: +49 (0) 6181/35-8098, Fax: +49 (0)6181/35-8101, E-Mail: info.HSND@Heraeus.com Web: www.heraeus-sensor-technology.com